

**Model 4722-15 — Surface-Mounted
Bradex®**

- Standard Series — Satin Finish
- Single End Compartment

Product Materials

CABINET: 22 gauge stainless steel with exposed surfaces in architectural satin finish. All welded construction.

PUSH FLAP DOOR: 22 gauge stainless steel with exposed surfaces in architectural satin finish. Heavy-duty stainless steel piano hinge. Self-closing flap door.

WASTE CONTAINER: 22 gauge stainless steel with tumbler locks keyed like other Bradley units.

Capacity

1.5 gal (0.2 cu. ft.)

Operation

Waste container removable from one side with finger grip. Furnished with waxed paper liner. Additional liners available from Bradley.

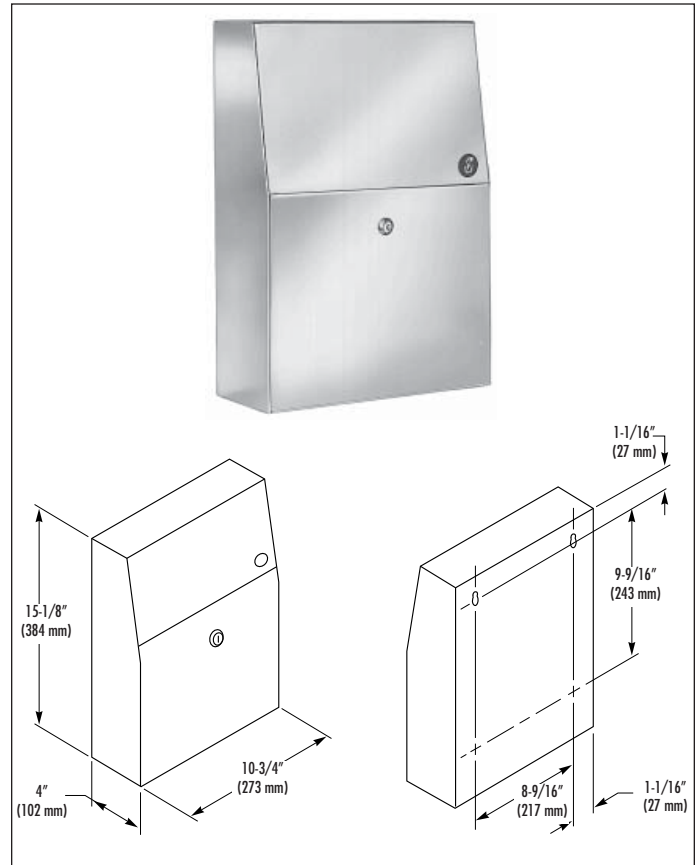
Installation

Verify all rough-in dimensions prior to installation. Secure unit to wall with mounting screws (included) at holes provided.

Guide Specification

Surface-mounted napkin disposal shall serve one toilet compartment and be fabricated of 22 gauge stainless steel with exposed surfaces in satin finish. Self-closing push flap door and stainless steel removable receptacle with tumbler lock.

Overall dimensions: 10-3/4"W x 15-1/8"H x 4"D.



**Washroom Accessories
Document No. 8395**

Orders composed of products indicated as **Bradex®** will be available to ship in three days after receipt of order at the factory. There is no pricing penalty for this service from Bradley.

This information is subject to change without formal notice.

Always consult local and national codes for proper installation guidelines.

Conformity and compliance to local and national codes is the responsibility of the installer.

9-30-2008

© 2008 Bradley Corporation
P.O. Box 309, Menomonee Falls, WI 53052-0309
Phone: 800.BRADLEY (800.272.3539) Fax: 262.253.4161
bradleycorp.com