

- Model 5922 — Recessed **Bradex**[®]
 - Model 5922-10 — Semi-Recessed (recesses 3-1/4", projects 1-1/4")
Note: Single door; does not allow clearance for grab bar.
 - Model 5922-11 — Surface-Mounted (projects 4-1/2")
Note: Single door; does not allow clearance for grab bar.
- Seat Cover Dispenser/Dual Roll Tissue Dispenser/Napkin Dispenser

Product Materials

CABINET: 22 gauge stainless steel with exposed surfaces in architectural satin finish. Welded construction with burr-free edges.

FLANGE: 22 gauge stainless steel with exposed surfaces in architectural satin finish. One-piece seamless construction, 1" wide with 1/4" return.

DOOR: 18 gauge stainless steel with full-length piano hinge and tumbler lock keyed like other Bradley units.

SPINDLES: polyethylene, non-removable by user.

Capacity

Toilet Seat Cover Dispensers — 1,000 standard single-fold or half-fold toilet seat covers; Toilet Tissue Dispensers — two standard core toilet tissue rolls through 5-1/4" in diameter.

Operation

Hinged access door permits servicing of components from one side.

Installation

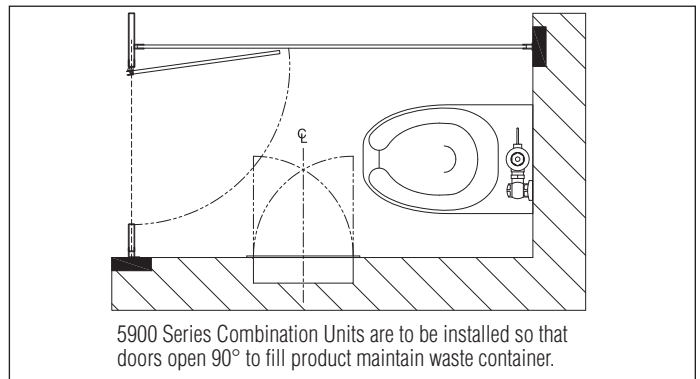
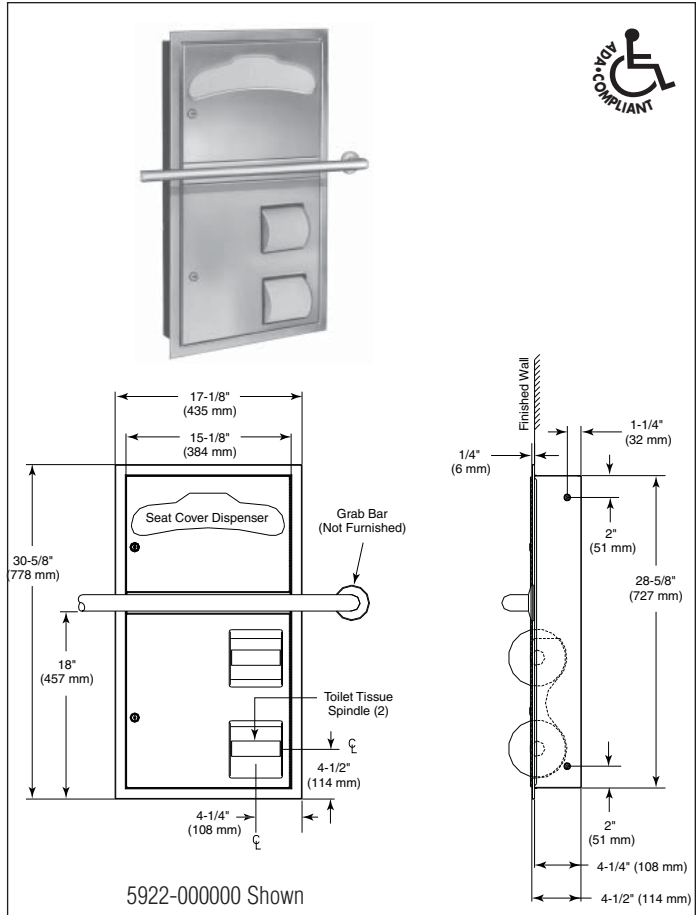
Verify all rough-in dimensions prior to installation. Requires rough wall opening 15-3/8"W x 28-7/8"H x 4-1/4"D. Secure to framing with mounting screws (included) at holes provided. Recessed unit allows clearance for grab bar (not included) across front of unit. Semi-recessed and surface-mounted units utilize one piece door; does not allow clearance for grab bar.

Guide Specification

Recessed combination unit shall include toilet seat cover dispenser and toilet tissue dispenser, and be fabricated of stainless steel with seamless exposed surfaces in satin finish. Door and back panel shall be 18-gauge. Door shall have piano hinge and tumbler lock.

Overall dimensions: 17-1/8"W x 30-5/8"H x 4-1/2"D.

**Washroom Accessories
Document No. 8610**



ADA Compliant

- Consult local and national accessibility codes for proper installation guidelines.
- Conformity and compliance to local and national codes is the responsibility of the installer.

Orders composed of products indicated as **Bradex**[®] will be available to ship in three days after receipt of order at the factory. There is no pricing penalty for this service from Bradley. This information is subject to change without formal notice. 9-30-2008

© 2008 Bradley Corporation
P.O. Box 309, Menomonee Falls, WI 53052-0309
Phone: 800.BRADLEY (800.272.3539) Fax: 262.253.4161
bradleycorp.com