

**Model 6324 Bradex®**

- Lavatory-Mounted
- Pump-Type Valve
- 4" Spout, 4-3/4" Shank
- ADA Compliant

### Product Materials

- PLUNGER AND SPOUT:** stainless steel. Requires less than 5 lbs. of force to activate plunger.
- ESCUTCHEON:** heavy chrome-plated brass.
- SHANK:** molded ABS plastic.
- VALVE CYLINDER:** molded clear ABS plastic.
- VALVE COMPONENTS:** Celcon, Buna-N rubber or stainless steel.
- PLASTIC GLOBE:** translucent polyethylene.

### Operation

Depress piston for measured amount of liquid soap. Fills from top by unlocking and withdrawing piston and spout assembly using special key provided. The 6324 will dispense vegetable or coconut oil liquid soaps, synthetic detergents, and antiseptic solutions in a liquid form. Spout is fixed. Requires less than 5 lbs. force to activate plunger.

- Bradley liquid soap valves operate best with any vegetable oil or coconut oil hand soap having a 10–15% soap concentration.

### Installation

Verify all rough-in dimensions prior to installation. Mount dispenser in 1" diameter hole in lavatory or counter-top. Include dispenser mounting hole location in lavatory specifications or mount in unused faucet hole. Shank will accommodate a maximum 3-1/2" mounting thickness and can be cut in the field.


### Optional Features

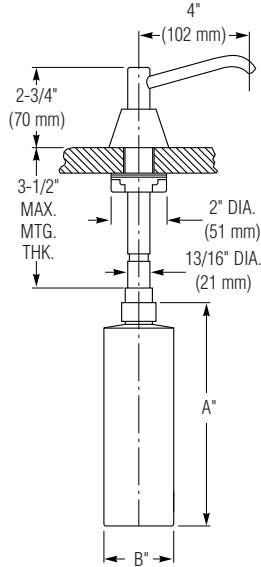
Feature	Suffix
<input type="checkbox"/> Metal globe (stainless steel) 16 oz.	-67
<input type="checkbox"/> Plastic globe 32 oz.*	-68
* Bradex®	


### Guide Specification

Lavatory-mounted liquid soap dispenser manufactured of stainless steel, chrome-plated brass and molded ABS plastic. Buna-N O-ring seals and duckbills. Valve shall dispense measured amount of vegetable or coconut oil liquid soap, synthetic detergents, or antiseptic solutions. Servicing is facilitated by use of special wrench. Requires less than 5 lbs. of force to activate plunger.

**Washroom Accessories  
Document No. 8635**







ADA  
COMPLIANT

DIMENSIONS			
Model	A	B	Capacity
6324*	7-1/8" (181 mm)	2-1/2" (64 mm)	16 oz.
6324-67	5" (127 mm)	2-3/4" (70 mm)	16 oz.
6324-68*	8-15/16" (227 mm)	3-1/4" (83 mm)	32 oz.
* Bradex®			

### ADA Compliant

- Consult local and national accessibility codes for proper installation guidelines.
- Conformity and compliance to local and national codes is the responsibility of the installer.

Orders composed of products indicated as **Bradex®** will be available to ship in three days after receipt of order at the factory. There is no pricing penalty for this service from Bradley.

© 2008 Bradley Corporation  
P.O. Box 309, Menomonee Falls, WI 53052-0309  
Phone: 800.BRADLEY (800.272.3539) Fax: 262.253.4161  
bradleycorp.com