

Fold-down utility shelf:

Model 790 – Surface-mounted

Product Materials

SHELF AND MOUNTING BRACKET: heavy-duty zinc die casting with chrome-plated finish. Shelf has textured non-slip surface.

Operation

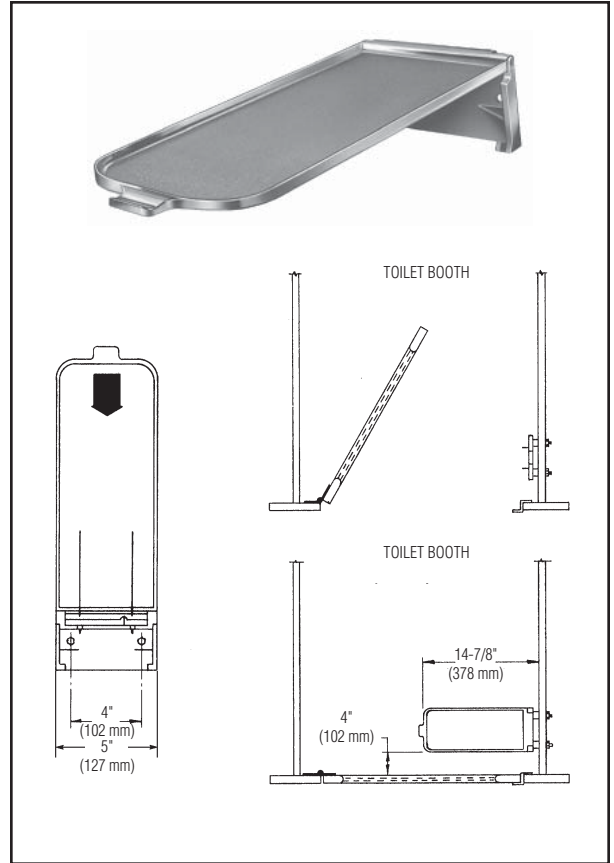
Hinged shelf stores in vertical position, folds down for use. Automatically returns to upright position when objects are removed. Holds up to 150 pounds.

Installation

Verify all rough-in dimensions prior to installation. Secure to wall or partition with mounting screws (included) at holes provided. Position in line of travel of toilet compartment door. Allow 14-7/8" vertical clearance for storage.

Guide Specification

Fold-down utility shelf shall be fabricated of chrome-plated heavy-duty zinc die cast with textured shelf area. Shelf shall automatically return to upright position after use.



**Washroom Accessories
Document No. 8805**