

- ADA Compliant
- Color – White **Bradex**<sup>®</sup>

### Product Materials

**FRAME:** satin finish stainless steel, 16 gauge U-channel and 18 gauge 1" diameter tubing.

**MOUNTING FLANGES:** 7 gauge satin finish stainless steel with three mounting holes provided in each flange for installation.

**LOWER SUPPORT BRACKET:** 16 gauge satin finish stainless steel.

**SEAT:** 1/2" thick solid phenolic. White matte finish Melamine bonded onto the phenolic for color. All exposed edges are machined smooth to a uniform dark finish. Reversible in field to be right or left hand.

### Operation

Hinged seat folds up and out of the way when not in use. When properly installed, seat can support up to 400 lbs. – static load.

### Installation

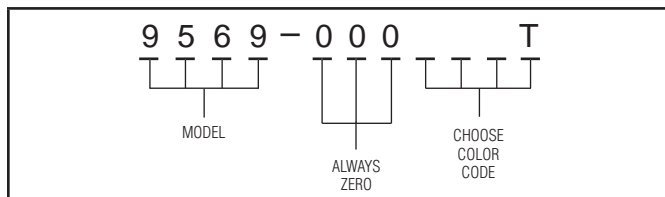
Verify all rough-in dimensions prior to installation. Provide concealed backing or anchors as specified by architect before finished wall is applied. Secure to wall with mounting screws at holes provided. Locate mounting holes at appropriate height above finished floor to meet seat height requirement. Secure lower support bracket to wall at appropriate location. Seat is reversible, may be made into a right hand seat.

### Standard Selections

SPECIFY COLOR
<input type="checkbox"/> Specify color _____ (See color chart in back of catalog)

### How to Specify Color

(See Color Selection Guides)



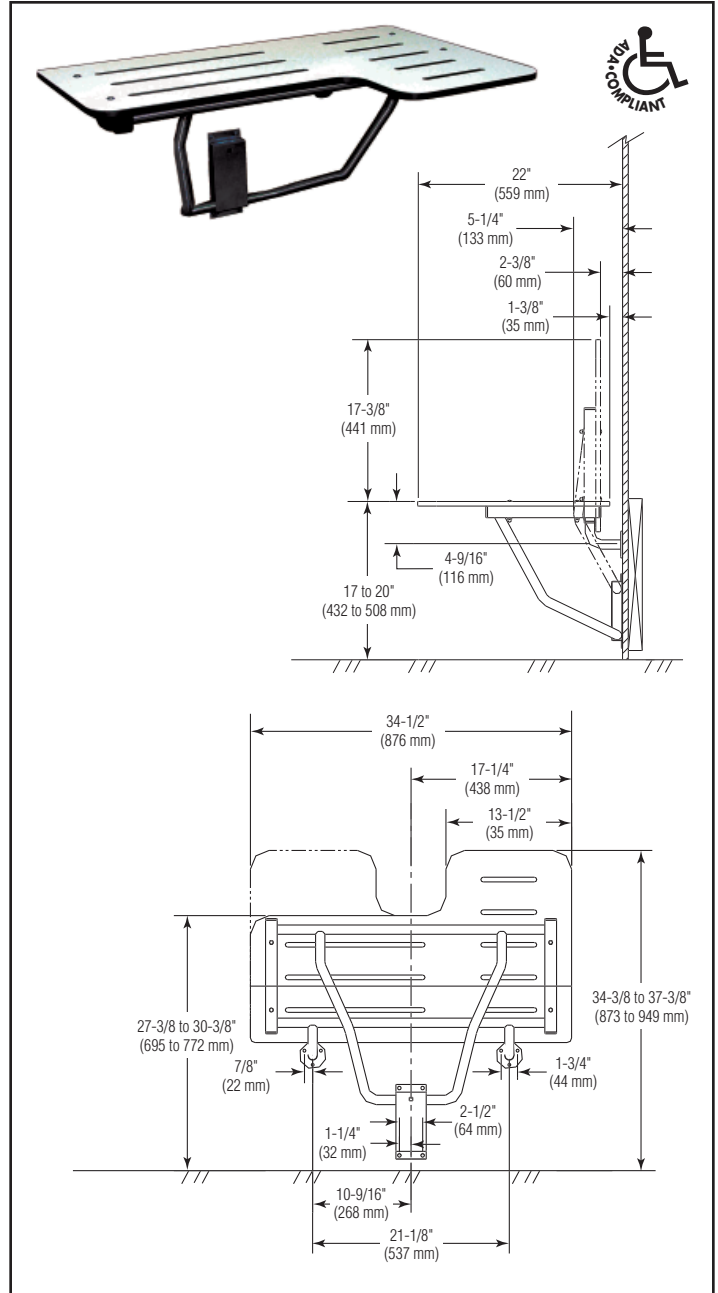
### Guide Specification

Reversible folding white phenolic shower seat shall be 1/2" thick phenolic with Melamine bonded to its phenolic core. Secured to the frame of 18 gauge, 1" diameter tubing, and 16 gauge U-channel. Support leg contained in 16 gauge lower support bracket. Shower seat must meet or exceed ADA guidelines.

**Overall dimensions: 34-1/2"W x 22"D x 1-1/2" thick.**

**Washroom Accessories**  
**Document No. 9027**

Orders composed of products indicated as **Bradex**<sup>®</sup> will be available to ship in three days after receipt of order at the factory. There is no pricing penalty for this service from Bradley. This information is subject to change without formal notice. 9-30-2008



### ADA Compliant

- Consult local and national accessibility codes for proper installation guidelines.
- Conformity and compliance to local and national codes is the responsibility of the installer.