

- ☑ Model 9953 – 3 Holders **Bradex**®
- ☑ Model 9954 – 4 Holders **Bradex**®
- ☑ Model 9955 – 5 Holders

Product Materials

BACKPLATE: 22 gauge stainless steel with exposed surfaces in architectural satin finish.

HOLDERS: spring-activated rubber cams on plated steel retainers.

Operation

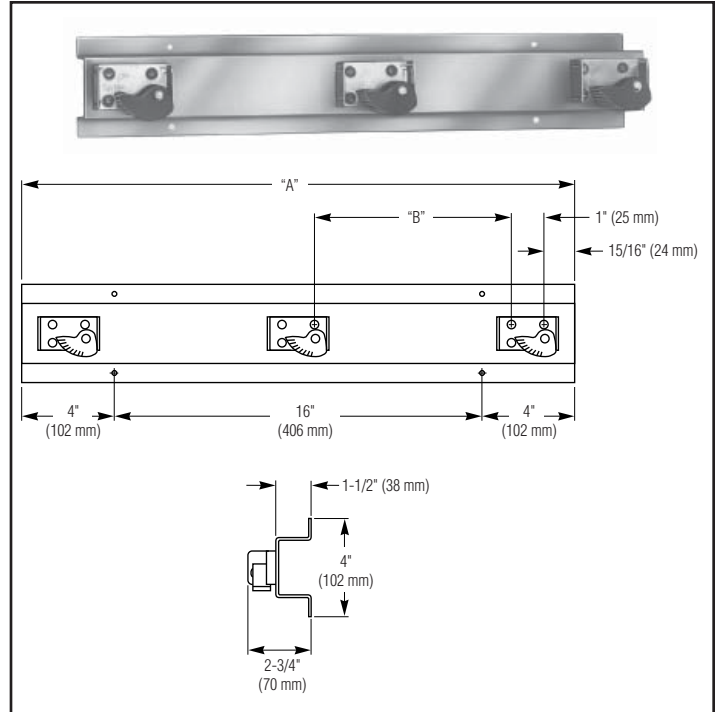
Weight of mop or broom holds handle in place.

Installation

Verify all rough-in dimensions prior to installation. Secure to wall with mounting screws (included) at holes provided.

Guide Specification

Surface mounted mop and broom holder shall be fabricated of 22 gauge stainless steel in satin finish with spring-activated rubber cam holders.



Dimensions

Model No.	Dim. "A"	Dim. "B"	Hooks
9953	24" (610 mm)	9-1/8" (232 mm)	3
9954	36" (914 mm)	9-3/4" (248 mm)	4
9955	48" (1219 mm)	10" (254 mm)	5

Washroom Accessories
Document No. 9160

Orders composed of products indicated as **Bradex**® will be available to ship in three days after receipt of order at the factory. There is no pricing penalty for this service from Bradley.

This information is subject to change without formal notice.

Always consult local and national codes for proper installation guidelines.

Conformity and compliance to local and national codes is the responsibility of the installer.

9-30-2008

© 2008 Bradley Corporation
P.O. Box 309, Menomonee Falls, WI 53052-0309
Phone: 800.BRADLEY (800.272.3539) Fax: 262.253.4161
bradleycorp.com